

Standard Features

- Stainless Steel Construction
- Available in 3 and 5 Pan
- Boilerless Design - Requires no routine maintenance
- No Water Connection
- Equipped with Drain pan - NO drain required
- Low Water and Energy Usage
- Simple ON/OFF Controls
- Front Serviceable
- No routine deliming
- Field reversible door
- Zero side clearance
- Produces steam on demand required by product being cooked
- One year Parts and Labor Warranty

EZ-3 (3 Pan); EZ-5 (5 Pan)



EZ-3



EZ-5

Job _____
Item# _____

STANDARD CONSTRUCTION SPECIFICATIONS

Exterior Finish: 304 stainless steel finish with #4 sanitary finish.

Interior Finish: 304 Stainless steel. Fully Insulated cooking compartment

Power Source: Electric. One power source for controls and elements as well as one ground wire. A positive ground connection is essential.

Controls:

ON/OFF Lever: In the "OFF" position the power is off and the drain valve is open. In the "ON" position, the power is on and the drain valve is closed.

60-Minute Timer: Time can be set between 1 and 60 minutes. When the time expires, buzzer sounds. Buzzer can be disabled by turning knob to manual position. Timer has no effect on the operation of the steamer.

Automatic Operation: Steam is only generated when required by food being cooked. With no food in the cavity, the unit idles at operating temperature.

"CHECK WATER LEVEL" Light: Indicates that the cavity does not have sufficient water. Water can be added through the trough over the door without opening the door, if desired.

Legs: 4" stainless steel adjustable legs

WATER QUALITY STATEMENT

Water quality is the major factor affecting the performance of your appliance. If you are unsure of water quality, consult a local water treatment specialist and have the water analyzed. Your water supply must be within these general guidelines:

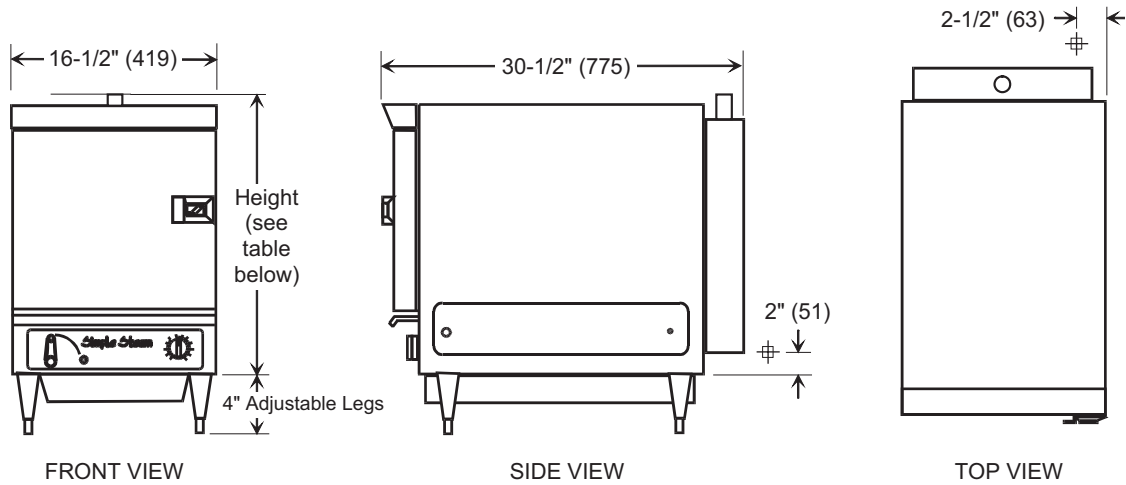
- Total dissolved solids - less than 60 PPM
- Total alkalinity - less than 20 PPM
- Silica - less than 13 PPM
- Chlorine -less than 1.5 PPM
- pH Factor -7.0-8.5

Water which fails to meet these standards should be treated by installation of water conditioner.

FAILURE OR MALFUNCTION OF THIS APPLIANCE DUE TO POOR WATER QUALITY IS NOT COVERED UNDER WARRANTY



Models: EZ-3 EZ-5



Dimensions: in (mm)

⊕ = Electrical Connection Terminal Block

Model	Height*	Interior Dimensions			Pan Capacity**			Crate Dimensions			Crate Volume	Crated Weight
		Width	Depth	Height	1"	2.5"	4"	Width	Depth	Height		
EZ-3	21" (533)	13.5" (343)	22" (559)	9.5" (241)	6	3	2	19.5" (495)	31.5" (800)	28.5" (724)	10.1 cu. ft. 0.29 cu. m.	150 lbs. 68 kg.
EZ-5	27.125" (689)	13.5" (1067)	22" (559)	15.5" (394)	9	5	3	20" (508)	34" (864)	38" (965)	15.1 cu. ft. 0.43 cu. m.	175 lbs. 79.4 kg.

* Add 4" to height if 4" adjustable legs are used

** "Pan Capacity" is the number of 1", 2.5", or 4" high standard pans (12" wide x 20" deep) that the steamer will hold

IMPORTANT: UNIT MUST BE LEVEL FOR PROPER OPERATION. WARRANTY WILL BE VOIDED FOR IMPROPER INSTALLATION.

UTILITY INFORMATION

Total Connected Amps	Max. Amps per Line			
	EZ-3		EZ-5	
	1-Phase	3-Phase	1-Phase	3-Phase
208V 60Hz	40	24	57	33
220V 50-60Hz	38	23	54	31
240V 60Hz	35	21	49	29
380/220V 50Hz	23	14	31	19
415/240V 50Hz	21	13	29	17
480V 60Hz	18	13	25	15

Electric: EZ-3 - Total kW: 8; EZ-5 - Total kW: 11

- One fuse electrical connection is required to the terminal block of the steamer. All units are shipped per customer order, three or single phase. (A kit is available for field conversion to three phase or single phase.) The fused connection must be wired for the required voltage and maximum amperage as listed in the above chart.

MISCELLANEOUS

- Check local codes for fire and sanitary regulations.

NOTICE:

Southbend has a policy of continuous product research and improvement. We reserve the right to change specifications and product design without notice. Such revisions do not entitle the buyer to corresponding changes, improvements, additions or replacements for previously purchased equipment.

OPTIONS AND ACCESSORIES

- SS-6 Stand
- SS-36 Stand
- SS-44 Stand
- Pan guides for stands
- Table mount stand
- 208V or 240V
- 220V 50/60Hz, 3-phase
- 480V 60Hz, 3-phase

**INTENDED FOR COMMERCIAL USE ONLY.
NOT FOR HOUSEHOLD USE.**

SOUTHBEND

1100 Old Honeycutt Rd., Fuquay-Varina, NC 27526
www.southbendnc.com