



ITEM # _____
 MODEL # _____
 PROJECT NAME # _____

SIS # _____

AIA # _____

HANDHELD MIXER Bermixer B2000 350W

- PNC 601381 (16" steel cutter tube)
- PNC 601423 (20" steel cutter tube)
- PNC 601424 (24" steel cutter tube)
- PNC 601385 (16" cutter tube and 10" beater attachment)
- PNC 601503 (powerpack-variable speed)

The B2000 provides the best compromise between power, stability in operation and ease of handling thanks to its light weight. B2000 allows mixing, beating, stirring and blending in any area of the kitchen. The cutter and beater attachments have unlimited use with a variety of foodstuffs such as soups, creams, sauces, vegetable purees, pancake batter, and mousses.

SPECIFICATIONS

- Convenient grip and adjustable speeds make preparation tasks fast and easy.
- Removable rotor and mechanism enable a complete cleaning of each part.
- Very easy to use, assemble and dismantle.
- Thanks to its electronic speed variator, a quick press with the thumb on the selector is all you need to change speed.
- Range of speeds from 100 to 11000 rpm under load.
- Designed to be used directly in stew pots of up to 26.4 gal. capacity in one operation, even during cooking.
- Its light weight ensures optimum comfort for the user.
- Safety feature requires both hands to be used to start the machine.

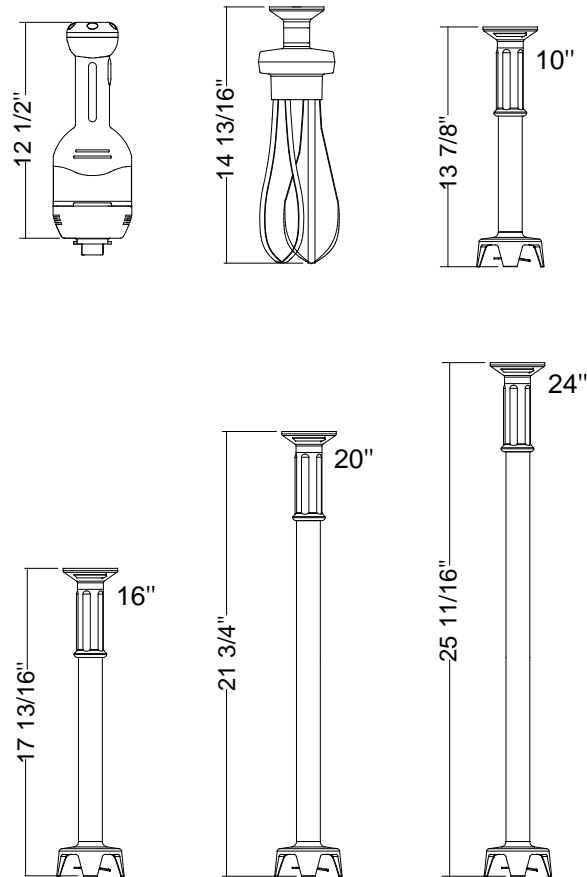


Approval : _____

Eastern sales office:
 3225 SW 42nd Street, Fort Lauderdale, Florida, 33312
 Western sales office:
 4231 Pacific Street #27, Rocklin, California, 95677

Electrolux Professional, Inc.
 Eastern Number: 1-866-449-4200
 Western Number: 1-800-331-7958
www.electroluxusa.com/professional

601381, 601503, 601385, 601424, 601423



HANDHELD MIXER

Bermixer B2000 350W

	BP35040 601381	BP35050 601423	BP35060 601424	BKP350 601385	B2M35U 601503
LEGEND					
I - Electrical connection	115 V, 1+N, 50/60	110...120 V, 1+N, 50/60	110...120 V, 1+N, 50/60	120 V, 1+N, 50/60	110...120 V, 1+N, 50/60
TECHNICAL DATA					
External dimensions - inch					
width	4 5/16"	4 5/16"	4 5/16"	4 5/16"	4 3/4"
depth	4 5/16"	4 5/16"	4 5/16"	4 5/16"	4 1/2"
height	30 3/16"	34 1/8"	38 1/16"	30 3/16"	13 3/8"
Power - kW					
installed electric	0.35	0.35	0.35	0.35	0.35
Supply voltage	115 V, 1+N, 50/60	110...120 V, 1+N, 50/60	110...120 V, 1+N, 50/60	120 V, 1+N, 50/60	110...120 V, 1+N, 50/60
Net Weight - lbs	8	8	9	10	6
Shipping weight - lb	11	11	11	13	7
Shipping dimensions - inch					
Width	13 "	13 3/8"	11 13/16"	23 5/8"	19 11/16"
Depth	23 1/4"	23 5/8"	27 9/16"	13 "	6 5/16"
Height	5 1/8"	5 1/2"	4 3/4"	5 1/8"	4 3/4"
INCLUDED ACCESSORIES					
16" CUTTER TUBE ATTACHMENT	1			1	
20" CUTTER TUBE ATTACHMENT		1			
24" CUTTER TUBE ATTACHMENT			1		
REINFORCED 10"BEATER FOR HAND HELD MIXER				1	
OPTIONAL ACCESSORIES (AT ADDITIONAL CHARGE)					
16" CUTTER TUBE ATTACHMENT	653264	653264	653264	653264	653264
20" CUTTER TUBE ATTACHMENT	653265	653265	653265	653265	653265
24" CUTTER TUBE ATTACHMENT	653274	653274	653274	653274	653274
ADJUSTABLE RAIL FOR CONTAINERS 15"-26"	653292	653292	653292	653292	653292
BOWL CRADLE FOR HAND HELD MIXER	653294	653294	653294	653294	653294
REINFORCED 10"BEATER FOR HAND HELD MIXER	653491	653491	653491	653491	653491

The company reserves the right to make modifications to the products without prior notice. All information correct at time of printing